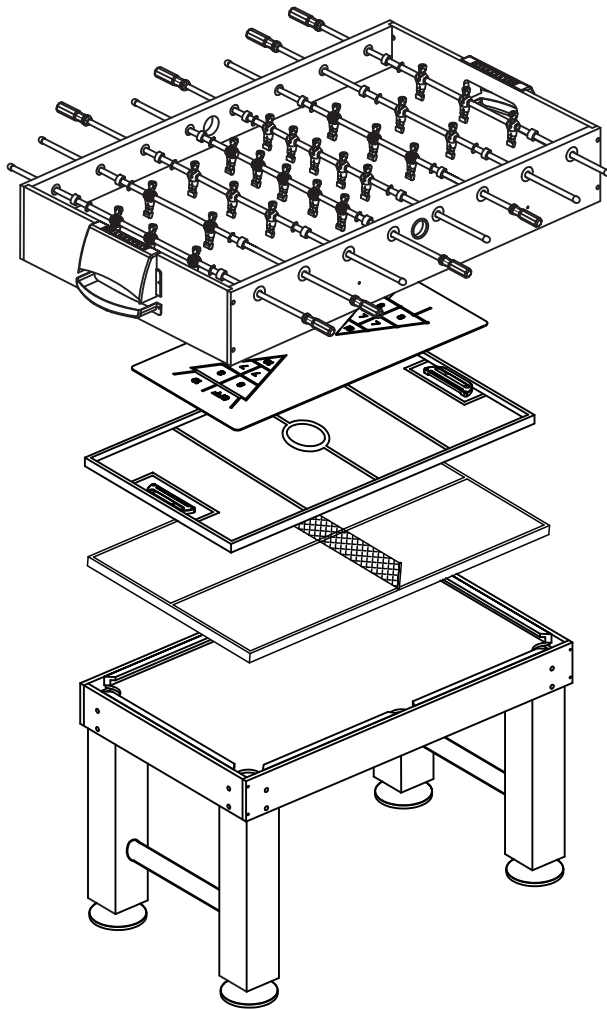




# KICK Hexad 48"

(Brown/Black)

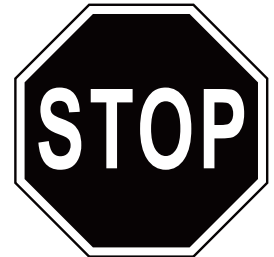
6 IN 1 MULTI-GAME FOOBALL TABLE  
ASSEMBLY INSTRUCTIONS



FY460

# Assembly Instructions

**WARNING: TWO ADULTS ARE NEEDED TO ASSEMBLE THE SOCCER TABLE**



## Official Website of KICK Foosball Tables



IF YOUR TABLE HAS DAMAGES, MISSING PARTS, OR YOU ARE NOT **100%** SATISFIED PLEASE CONTACT **KICK, NOT THE RESELLER.**

← SCAN THIS QR CODE TO CONTACT US IF YOU FACE ANY ISSUES.

FOR THE LATEST INSTRUCTION MANUALS, VIDEOS, TABLE ASSEMBLY INFO, DIFFERENT GOALIE SETUPS, PLAYER TYPES, AND OTHER HELPFUL TIPS - PLEASE VISIT THE LINK BELOW OR SCAN THIS QR CODE →

[www.KICKFoosballTables.com/Instructions/](http://www.KICKFoosballTables.com/Instructions/)



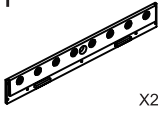
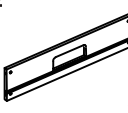
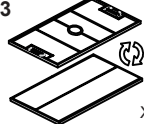
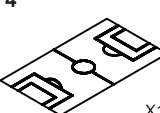
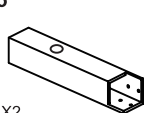
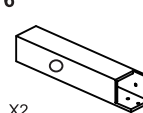
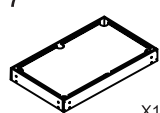
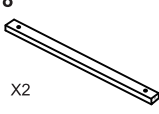


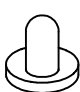
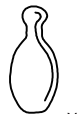





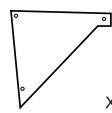
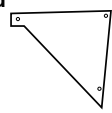
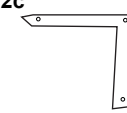
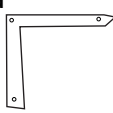
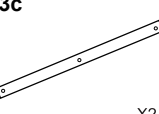
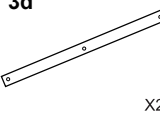
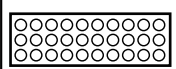





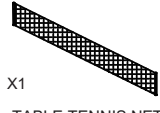
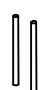




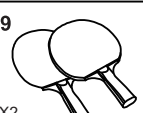

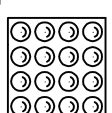




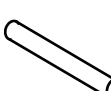

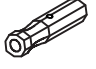

### **CONTACT INFORMATION:**

**Email:** Support@KICKFoosballTables.com  
**Website:** www.KICKFoosballTables.com  
**Phone:** 1 (866) 844-KICK (5425) or (210) 664-8934

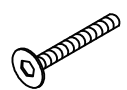

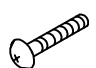






### **MAILING ADDRESS:**

KICK Sports  
PO Box 790311  
San Antonio, Texas 78279

# PARTS LIST

|  |   |  |  |  |  |   |
|--|---|--|--|--|--|---|
| 1<br><br>SIDE PANEL<br>X2             | 2<br><br>END PANEL<br>X2                         | 3<br><br>TABLE TENNIS HOCKEY<br>X1  | 4<br><br>PLAYFIELD<br>X1      | 5<br><br>RIGHT LEG<br>X2         | 6<br><br>LEFT LEG<br>X2           | 7<br><br>BILLIARD TABLE<br>X1      |
| 8<br><br>SUPPORT BRACE<br>X2          | 9<br><br>SHUFFLEBOARD /BOWLING TOP<br>X1         | 10<br><br>PUCK<br>X2  | 11<br><br>STRIKER<br>X2       | 12<br><br>BOWLING PIN SET<br>X10 | 13<br><br>BOWLING BALL<br>X1      | 14<br><br>PUCKS<br>X6              |
| 15<br><br>GOAL BOX TOP<br>X2          | 16<br><br>GOAL BOX BOTTOM<br>X2                  | 17<br><br>LEG LEVELER<br>X4   | 1c<br><br>TRIANGLE a<br>X2    | 1d<br><br>TRIANGLE b<br>X2       | 2c<br><br>L STYLE PLASTIC a<br>X2 | 2d<br><br>L STYLE PLASTIC b<br>X2  |
| 3c<br><br>LONG PLASTIC a<br>X2        | 3d<br><br>LONG PLASTIC b<br>X2                   | P13a<br><br>SCREW HOLE CAP<br>(to cover the hole of the screws S1)<br>1 SET | 19<br><br>ROD END CAP<br>X8   | 20<br><br>ROD BUMPER<br>X16      | 21<br><br>ROD WASHER<br>X16       | 22a<br><br>PLAYER<br>X13           |
| 22b<br><br>PLAYER<br>X13             | 23<br><br>TABLE TENNIS NET<br>X1                | 24<br><br>TABLE TENNIS POSTS<br>X2   | 25<br><br>3 PLAYER ROD<br>X4 | 26<br><br>2 PLAYER ROD<br>X2    | 27<br><br>5 PLAYER ROD<br>X2     | 28<br><br>TABLE TENNIS BALL<br>X2 |
| 29<br><br>TABLE TENNIS PADDLE<br>X2 | 30<br><br>SOCCER BALL<br>X2                    | 31<br><br>BILLIARD BALLS SET<br>X1  | 32<br><br>TRIANGLE<br>X1    | 33<br><br>CUC STICK<br>X2      | 34<br><br>BRUSH<br>X1           | 35<br><br>CHALKS<br>X2           |
| 36<br><br>LEG CROSS ROD<br>X2       | 37<br><br>(Pre-installed)<br>HOCKEY GOAL<br>X2 | 38<br><br>ROD HANDLE<br>X8  | 39<br><br>STOP RING<br>X4   |  |  |   |

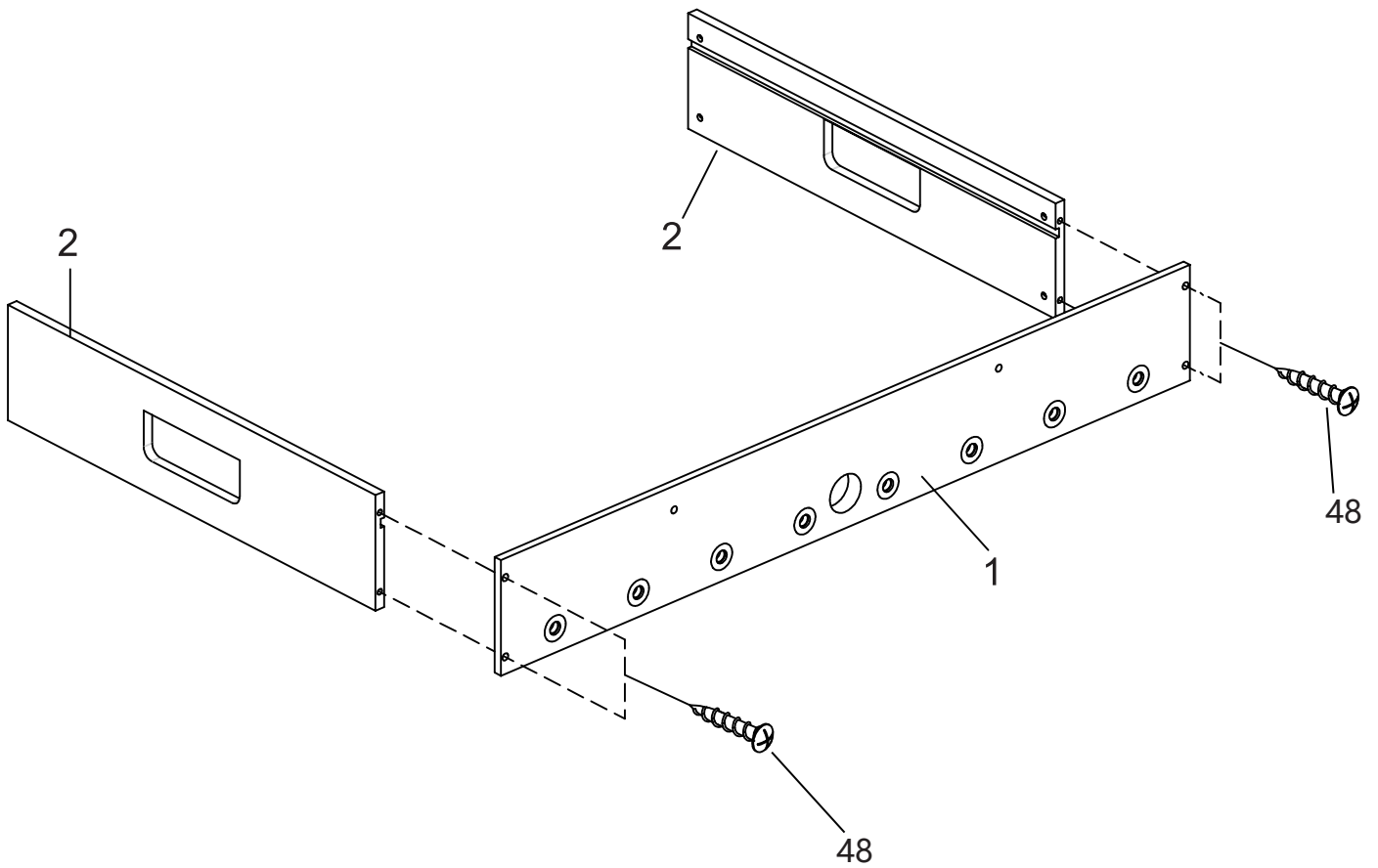
# HARDWARE

|   |   |  |  |   |   |   |
|---|---|--|--|---|---|---|
| 44<br><br>5/16" x 1" BOLT<br>X16 | 45<br><br>5/16" WASHER<br>X16          | 46<br><br>1/8" x 3/4" BOLT<br>X26 | 47<br><br>1/8" NUT<br>X26 | 48<br><br>1/8" x 1-3/4" SCREWS<br>X12 | 49<br><br>1/8" x 5/8" SCREWS<br>X8 | 50<br><br>1/8" x 1/2" SCREWS<br>X8 |
| 51<br><br>ALLEN WRENCH<br>X1     | S2<br><br>3/8" FLAT HEAD SCREWS<br>X36 |  |  |   |   |   |

# Assembly Instructions

WARNING: TWO ADULTS ARE NEEDED TO ASSEMBLE THE SOCCER TABLE

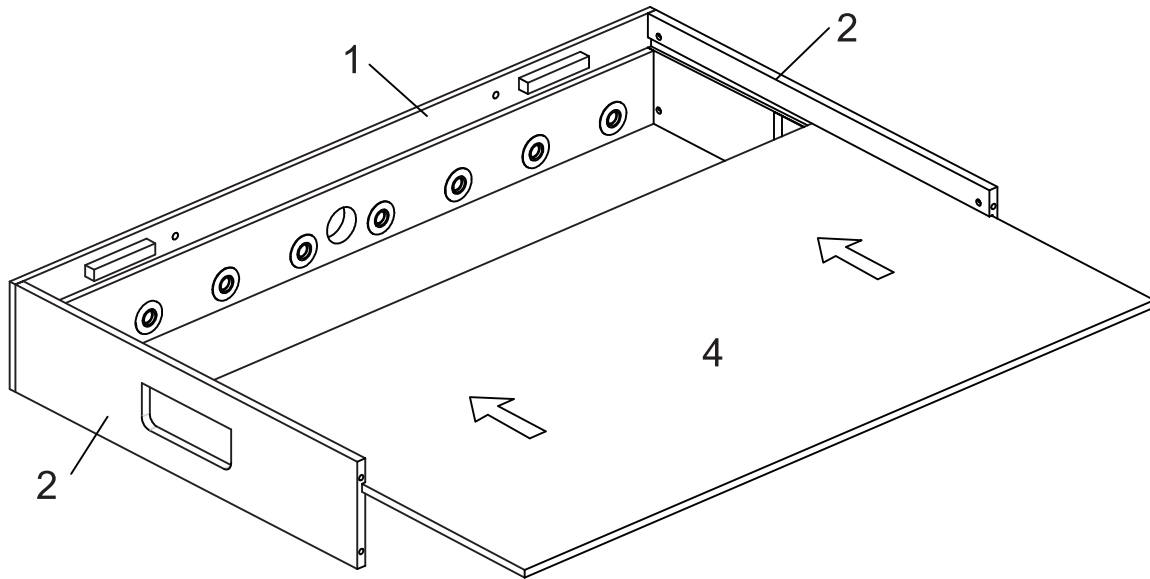
## STEP 1



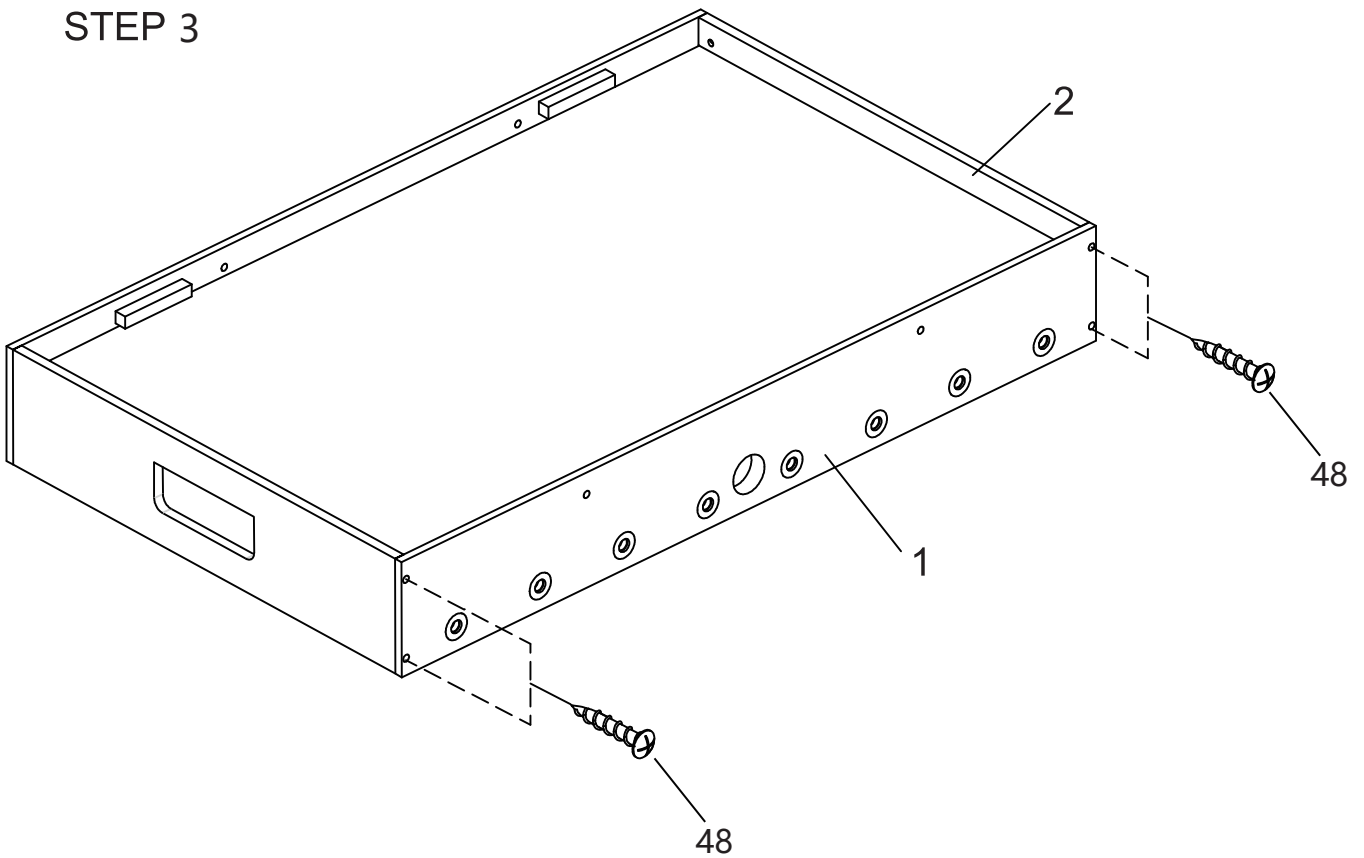
# Assembly Instructions

WARNING: TWO ADULTS ARE NEEDED TO ASSEMBLE THE SOCCER TABLE

## STEP 2



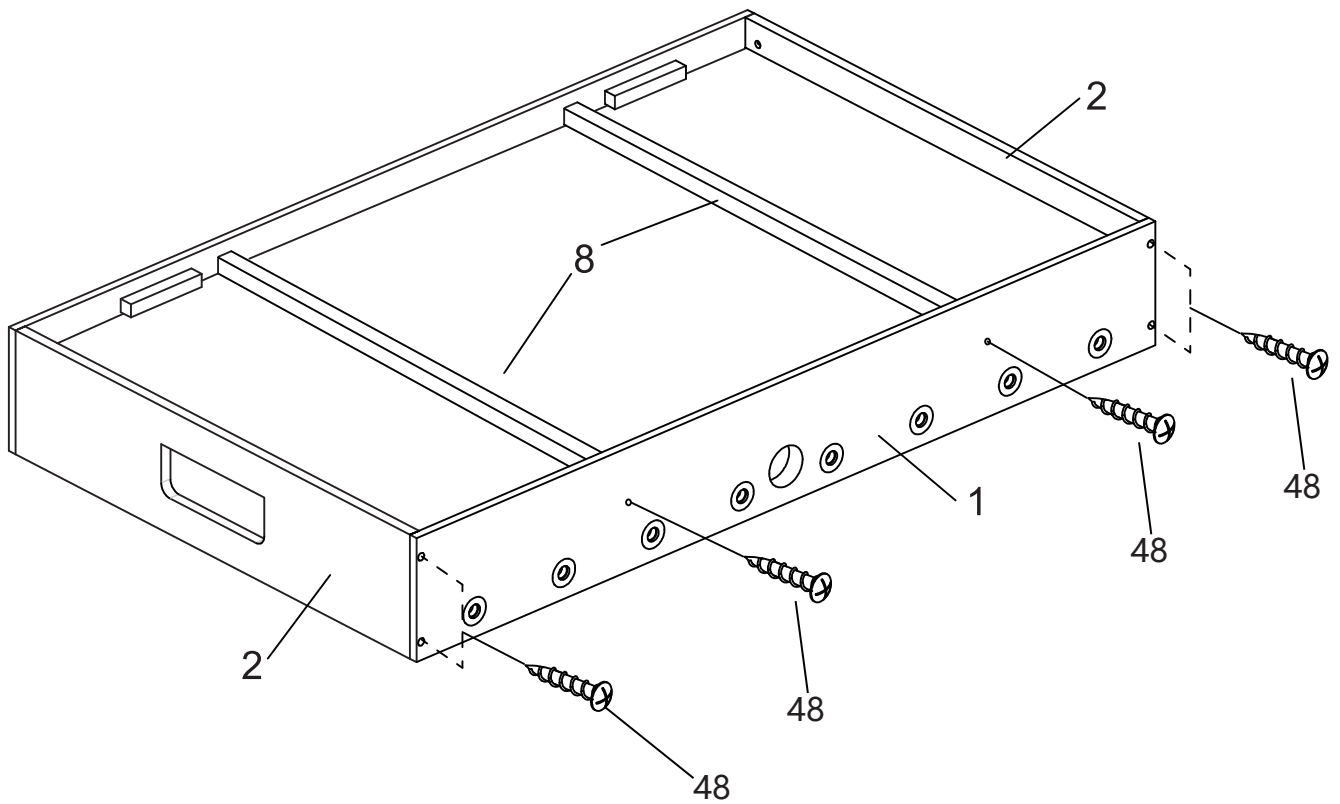
## STEP 3



# Assembly Instructions

WARNING: TWO ADULTS ARE NEEDED TO ASSEMBLE THE SOCCER TABLE

## STEP 4

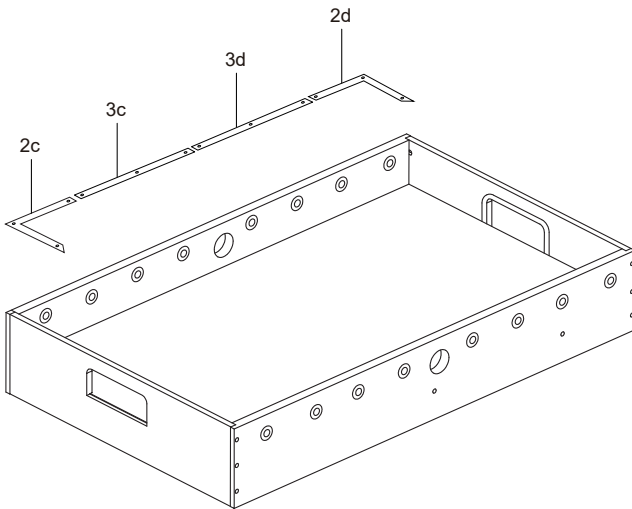


# Assembly Instructions

**WARNING: TWO ADULTS ARE NEEDED TO ASSEMBLE THE SOCCER TABLE**

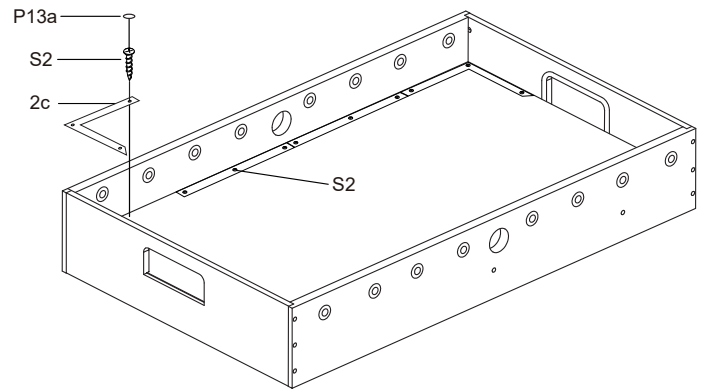
## STEP 5A

Steps 5A to 5E are optional if you want.



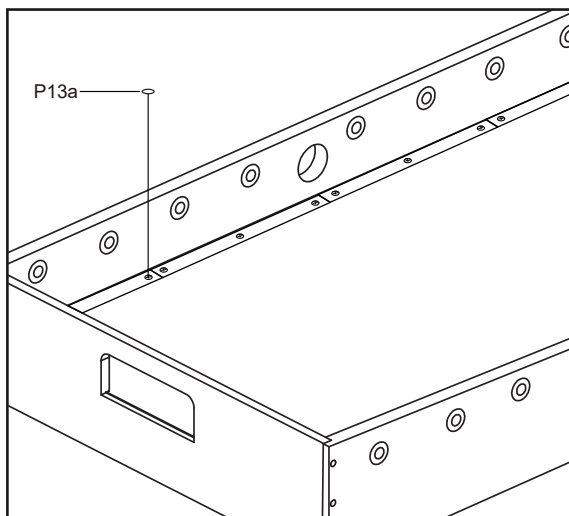
## STEP 5B

Attach the plastic 2c, 2d, 3c, 3d to the playing field with S2.

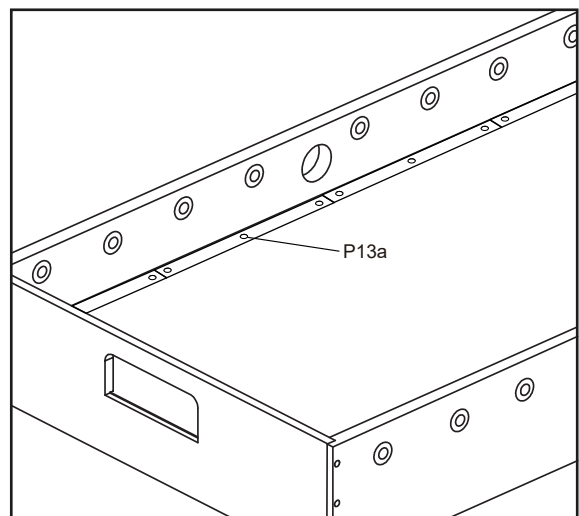


## STEP 5C

Cover the Screw Hole Cap P13a to the screw hole.



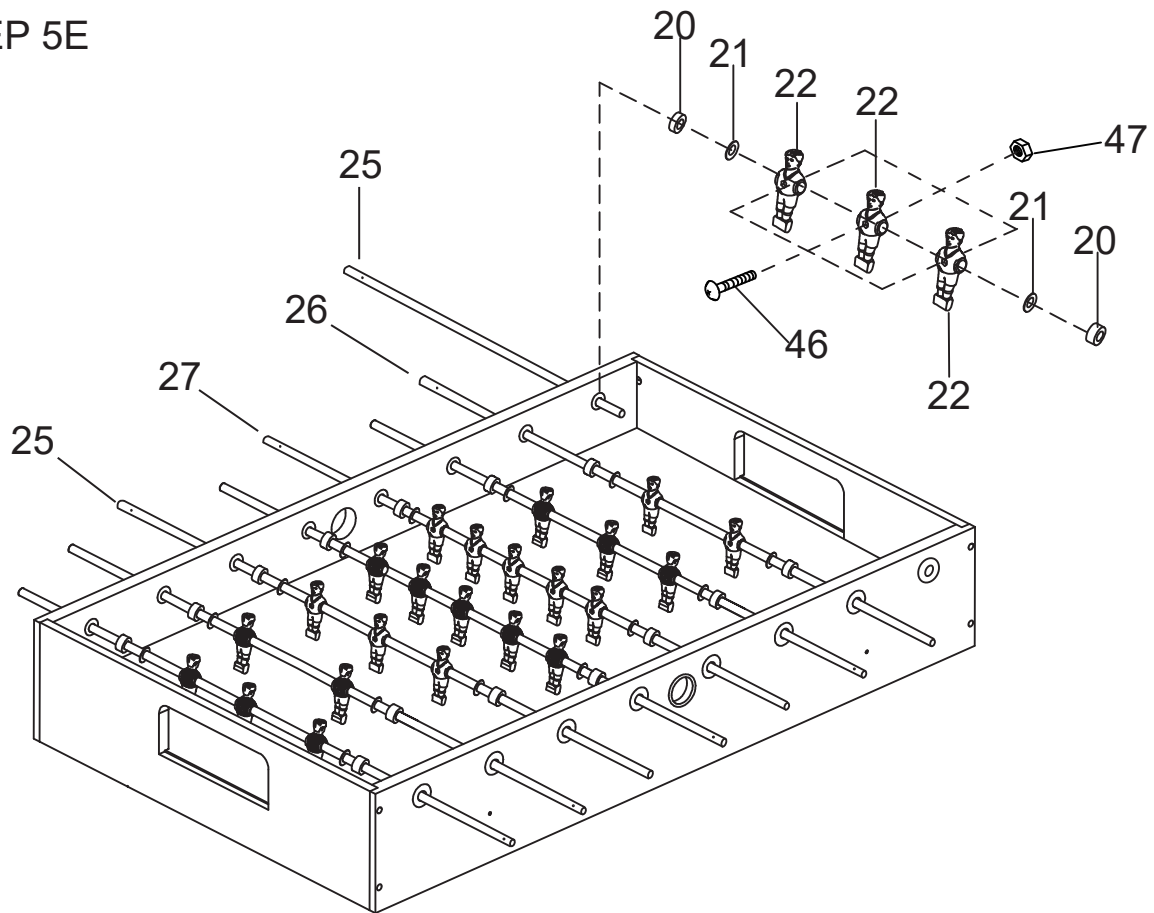
## STEP 5D



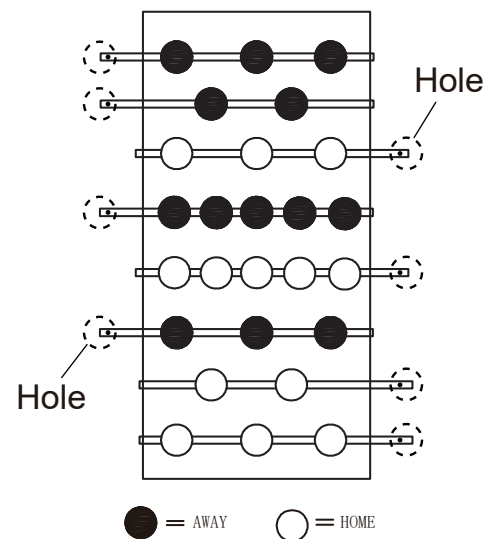
# Assembly Instructions

WARNING: TWO ADULTS ARE NEEDED TO ASSEMBLE THE SOCCER TABLE

## STEP 5E



*Insert the rod end part way through one side panel, and then place the rest of the parts needed on each rod, in the order shown, before inserting through the other side panel.*



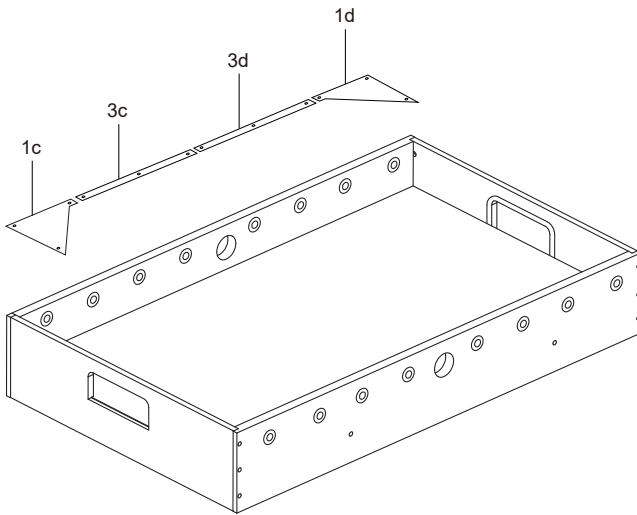


# Assembly Instructions

**WARNING: TWO ADULTS ARE NEEDED TO ASSEMBLE THE SOCCER TABLE**

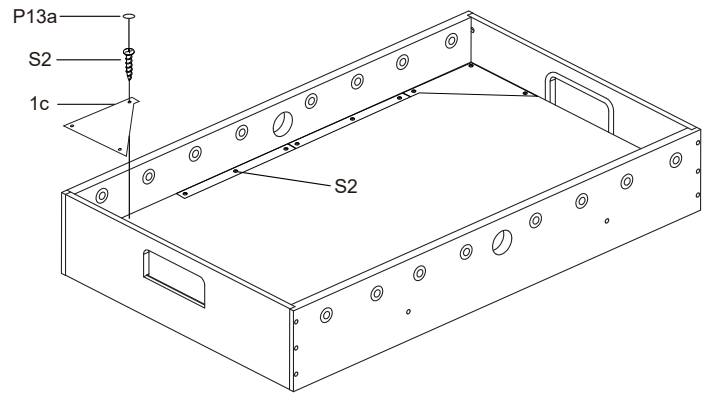
## STEP 6A

Steps 6A to 6E are optional if you want.



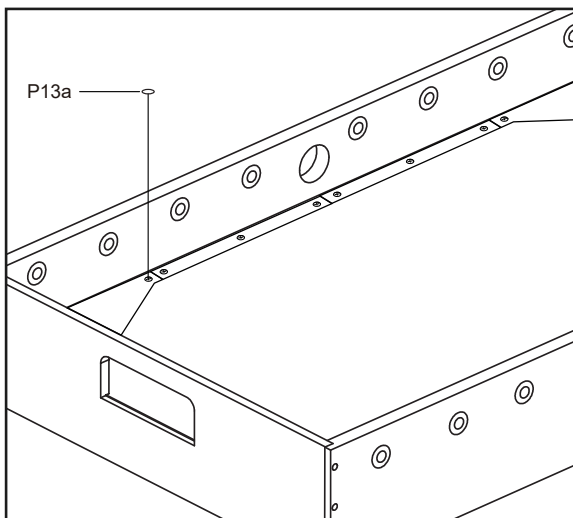
## STEP 6B

Attach the plastic 1c, 1d, 3c, 3d to the playing field with S2.

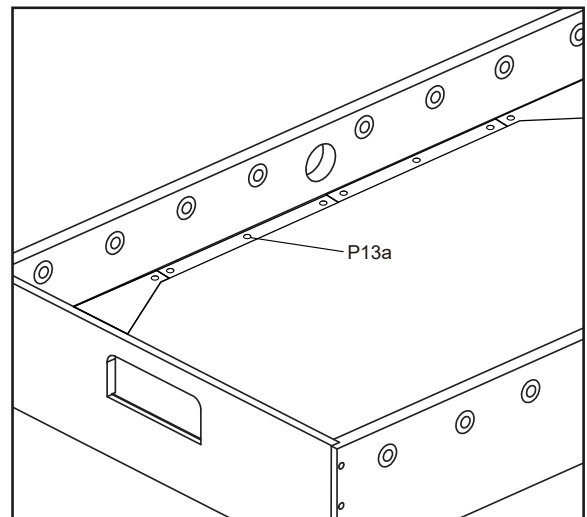


## STEP 6C

Cover the Screw Hole Cap P13a to the screw hole.



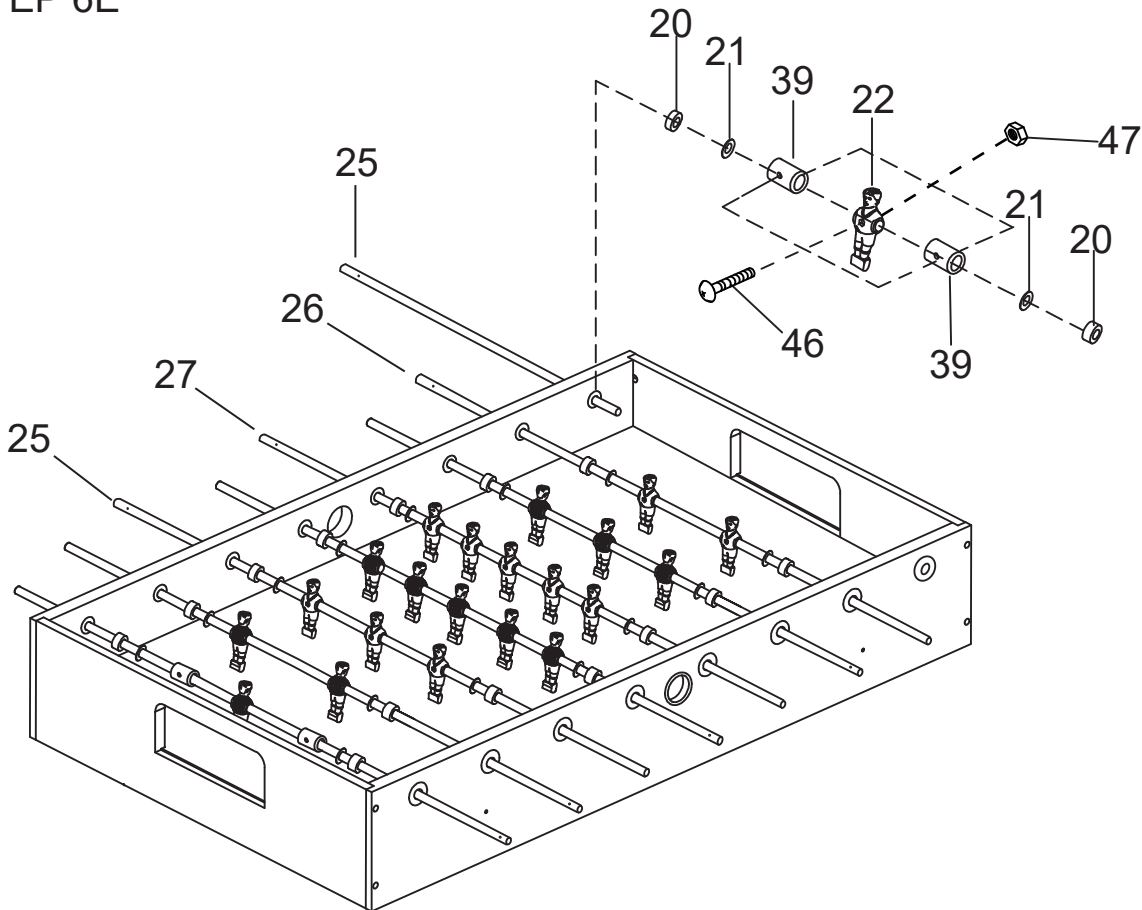
## STEP 6D



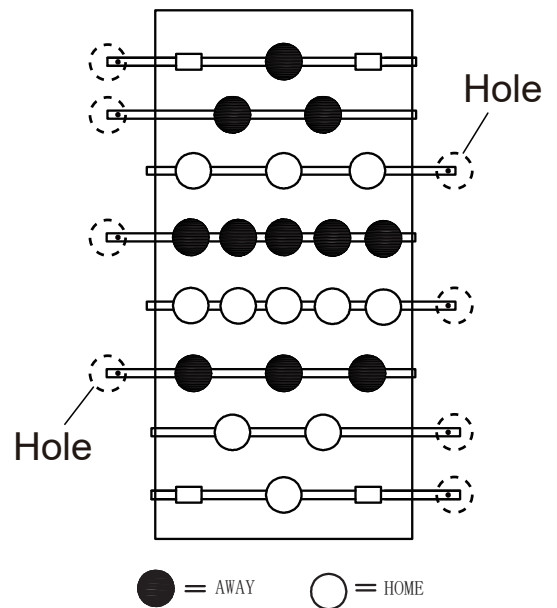
# Assembly Instructions

**WARNING: TWO ADULTS ARE NEEDED TO ASSEMBLE THE SOCCER TABLE**

## STEP 6E



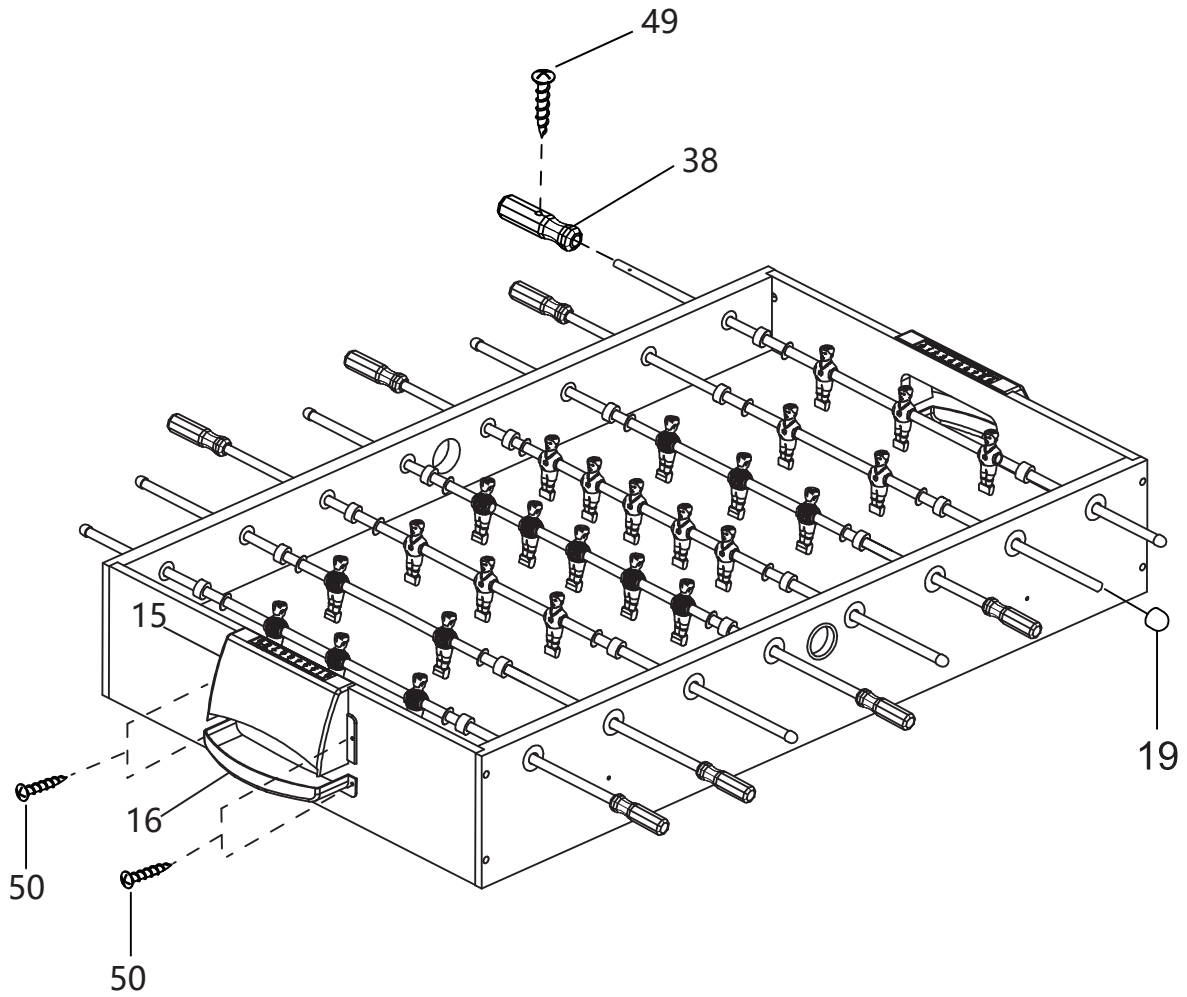
*Insert the rod end part way through one side panel, and then place the rest of the parts needed on each rod, in the order shown, before inserting through the other side panel.*



# Assembly Instructions

WARNING: TWO ADULTS ARE NEEDED TO ASSEMBLE THE SOCCER TABLE

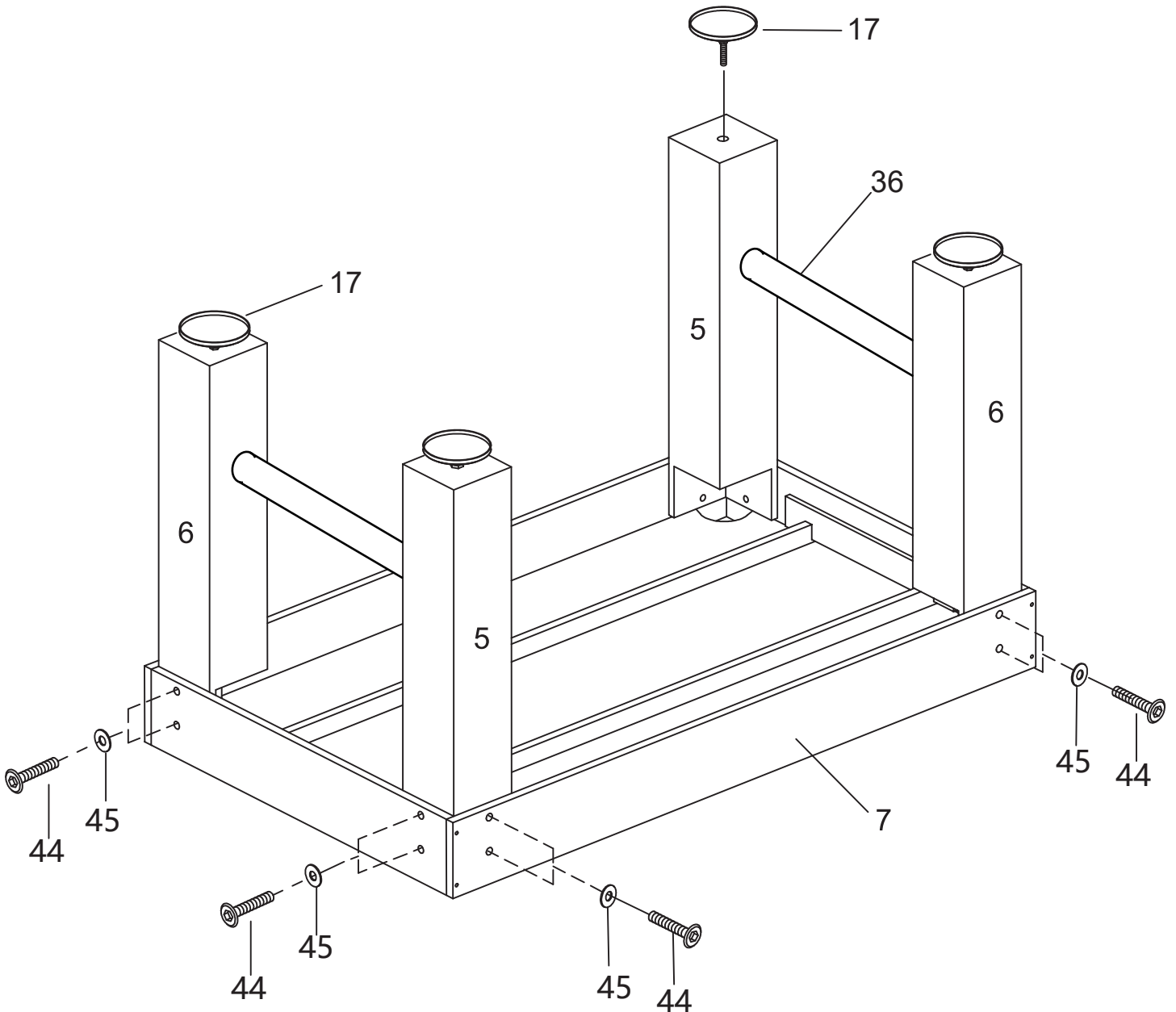
## STEP 7



# Assembly Instructions

WARNING: TWO ADULTS ARE NEEDED TO ASSEMBLE THE SOCCER TABLE

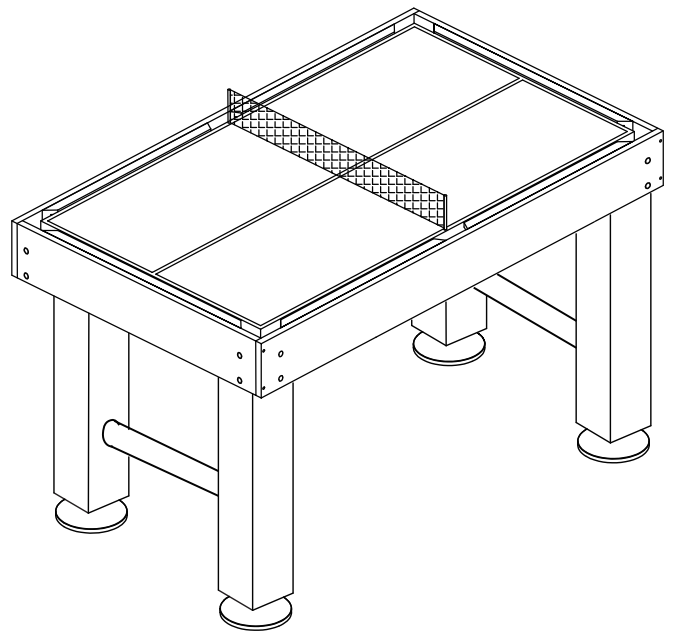
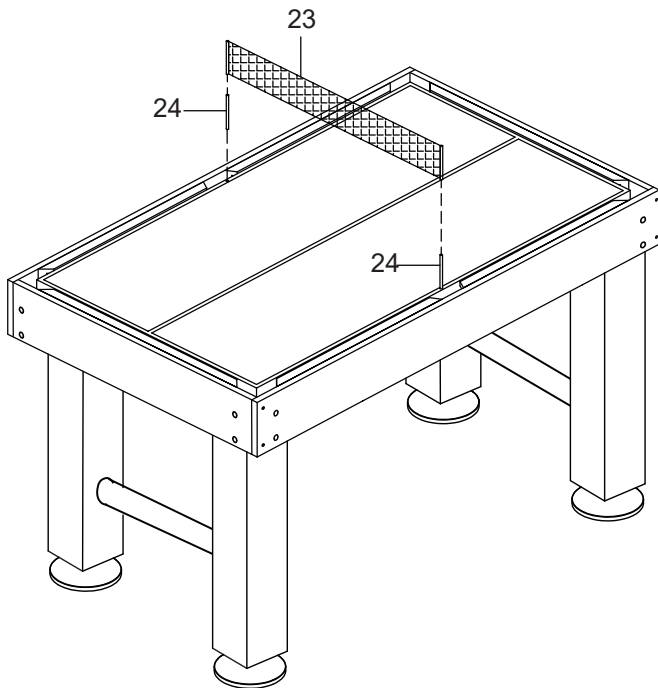
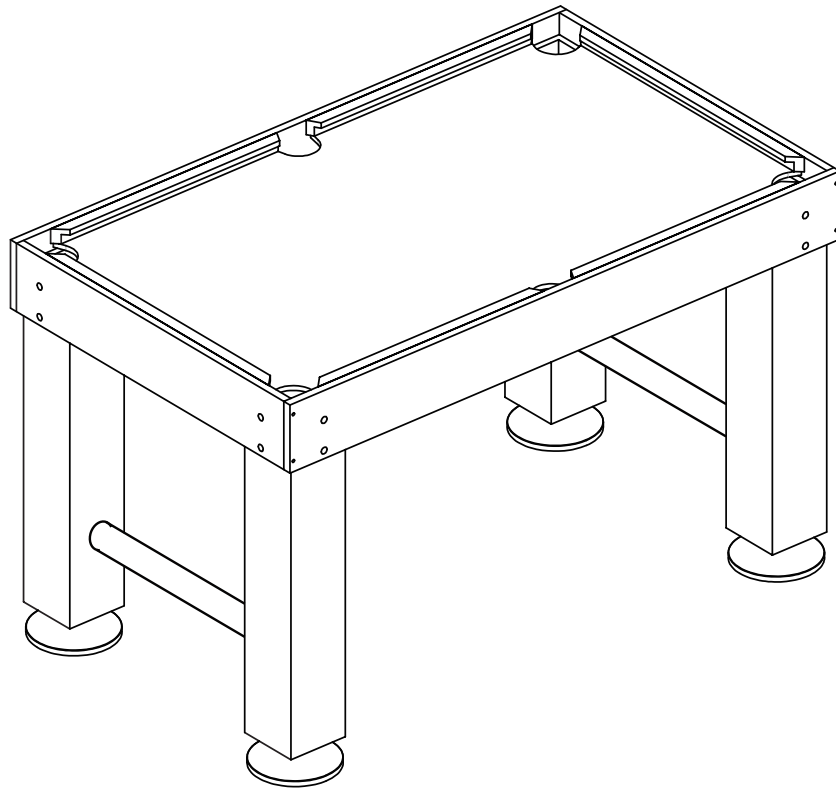
## STEP 8



# Assembly Instructions

WARNING: TWO ADULTS ARE NEEDED TO ASSEMBLE THE SOCCER TABLE

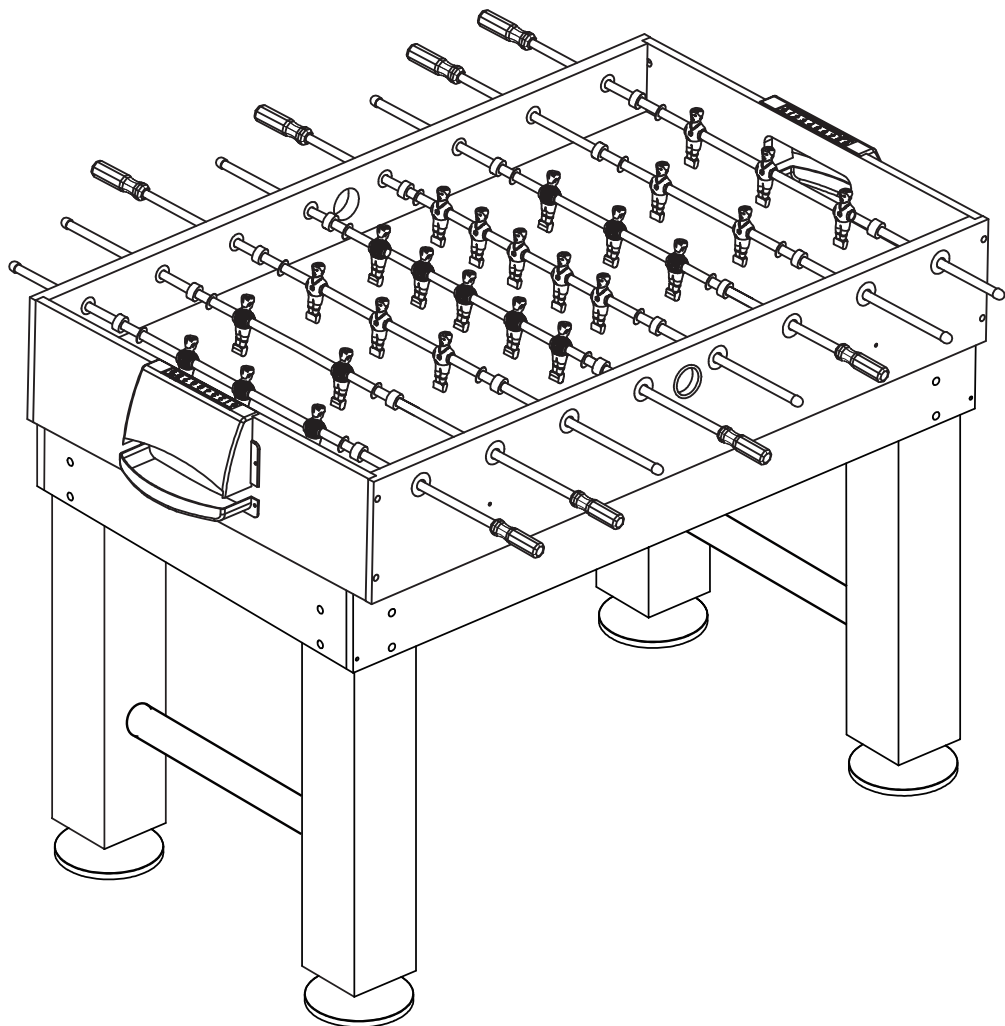
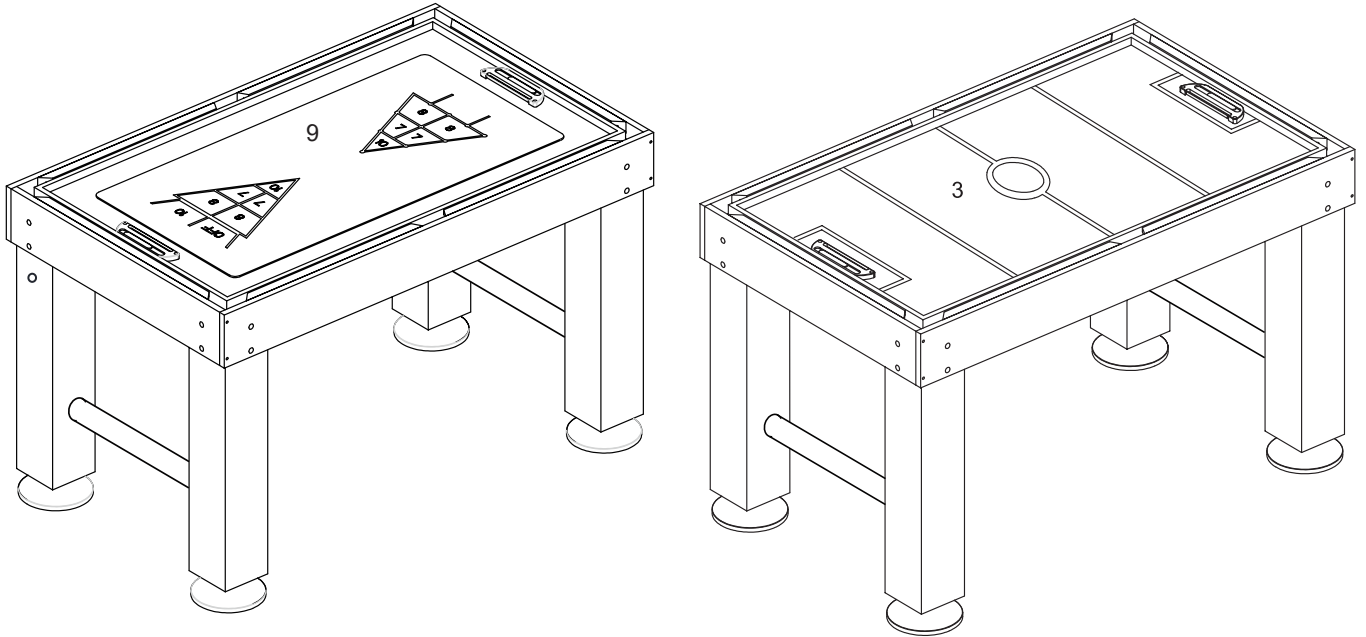
## STEP 9



# Assembly Instructions

**WARNING: TWO ADULTS ARE NEEDED TO ASSEMBLE THE SOCCER TABLE**

## STEP 10



# Assembly Instructions

WARNING: TWO ADULTS ARE NEEDED TO ASSEMBLE THE SOCCER TABLE

